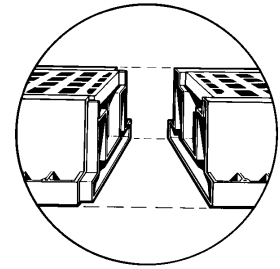
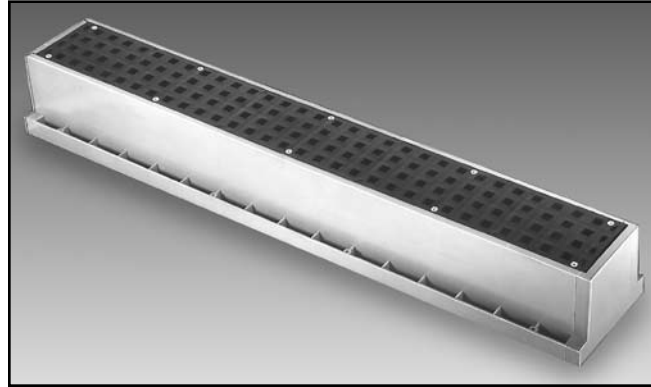


The only injection molded Trench Drain

- Non-corrosive High Density Polyethylene.
- 235 p.s.i industrial strength
- H-20 wheel load rating

Comes completely assembled. One unit. One price. No Extras.



Interlocking Molded Ends

No need to remove the grate during installation. Simply snap the trenches together for a Tuf-Tite® free-flowing fit.

Snap-on End Caps

Simply remove an end cap, extend the trench to any length, and re-install the end cap.

Cut to Size

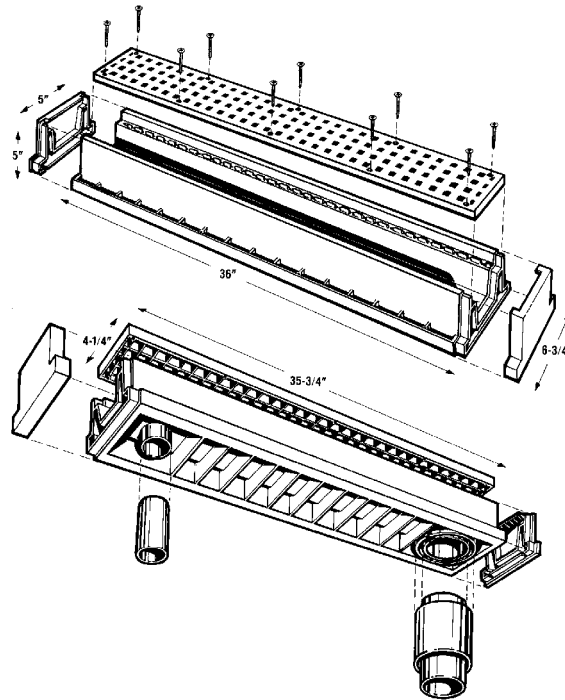
The trench may be field cut with a hand saw, and capped with a male end cap or a TR1-D4 End Drain

Molded-In Ribs

Provide exceptional vertical compression strength - unequaled by other trench designs.

Choice of 3 Drains

Three bottom drains are molded in. Knock-out membranes allow trench to be drained with 2" or 3" Schedule 40, or 4"



ADA Compliant Grate

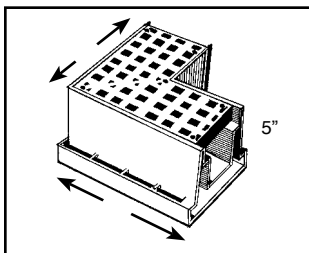
Safe, square 1/2" x 1/2" openings. Molded of specially formulated HDPE with no foam or fillers.

Stainless Screws

The grate is held in place with 10 Type A-SmS screws.

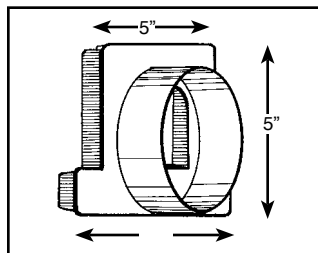
Americans With Disabilities Act

Regulation 4.5.4: If gratings are located in walking surfaces, then they shall have spaces no greater than 1/2" (13mm) wide in one direction. If gratings have elongated openings, then they shall be placed so that the long dimension is perpendicular to



TR1-90 Corner

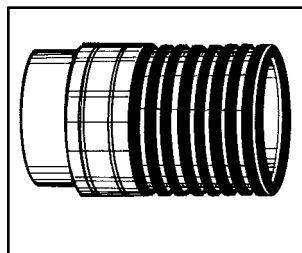
90° injection molded HDPE corner unit for Trench Drain. Molded interlocking ends for simple, snap-together installation. Comes assembled with grate and 6 Type A-SmS stainless screws. ADA compliant.



Optional End Drain TR1-D4

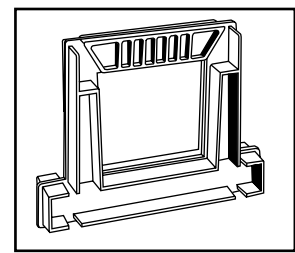
Male End Drain snaps on female end of Trench Drain. Accepts:

- 4" SDR35-3034 pipe
- 4" 2729 pipe
- 4" corrugated pipe when used with an MF-4 pipe connector



MF-4 Pipe Connector

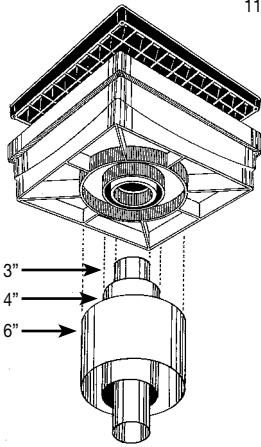
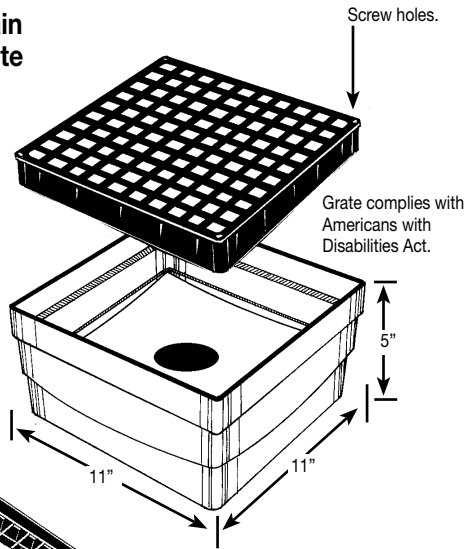
To connect 4" corrugated pipe to the bottom of Trench Drain or to the End Drain TR1-D4. Provides a watertight fit.



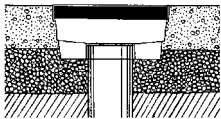
Gender Changer

Changes male end to female (TR1-GCF) or female end to male (TR1-GCM)

AD1 Area Drain with ADA Grate



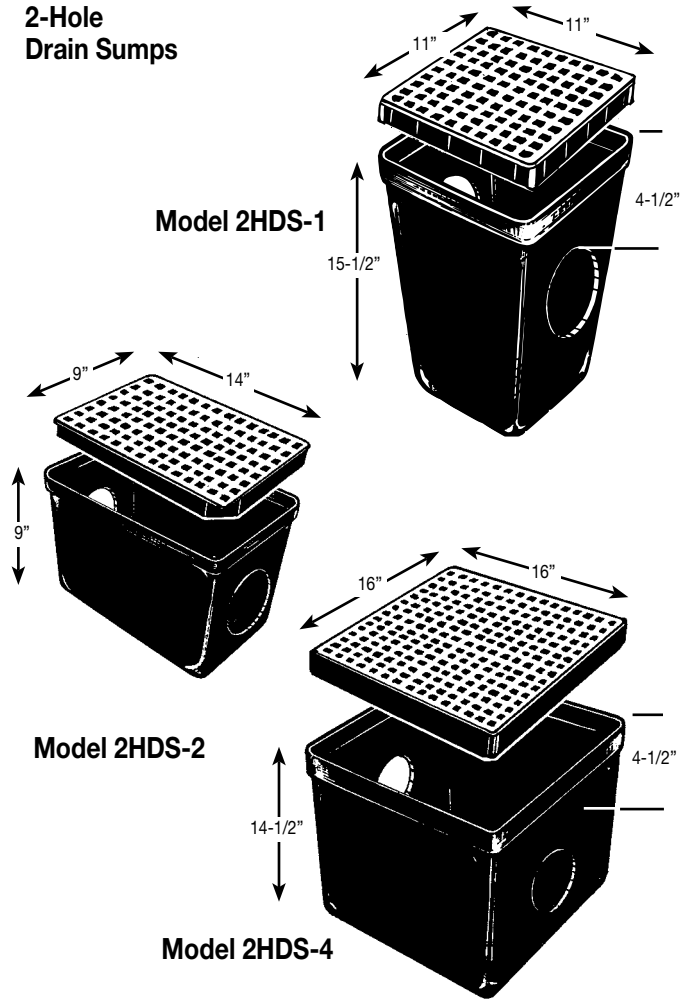
Choice of three size drain pipes.



Installs easily inside and out.

- Rugged, Non-Corrosive**
 Molded of gray High-Density Polyethylene. Ribbed bottom provides exceptional compression strength.
- Atrium Drain**
 Drain hole is protected by a 1-3/4" high atrium screen. A build-up of small debris won't stop the flow.
- Steady Flow**
 The contoured bottom directs all water to the drain. Standing water is eliminated.
- Easily Installed - Anywhere!**
 Only 5" deep. Lightweight, easy to handle, and useable with 3", 4", or 6" pipe. No pipe fittings needed.
- Comes Complete**
 Price includes a heavy duty ADA compliant grate. No extras required.

2-Hole Drain Sumps



- All Tuf Tite® Drain Sumps are injection molded of non-corrosive High Density Polyethylene. Select 1, 2, 3, or 4-hole Drain Sump with molded HDPE grate and your choice of snap-in watertight fittings:
- S-35 Yellow Seal for Thin Wall Pipe
 - S-40 Blue Seal for Schedule 40 Pipe
 - P-10 Orange Plug for unused holes.

Drainage and Septic Products

Tuf-Tite® Corporation
 500 Capital Drive
 Lake Zurich, Illinois 60047

